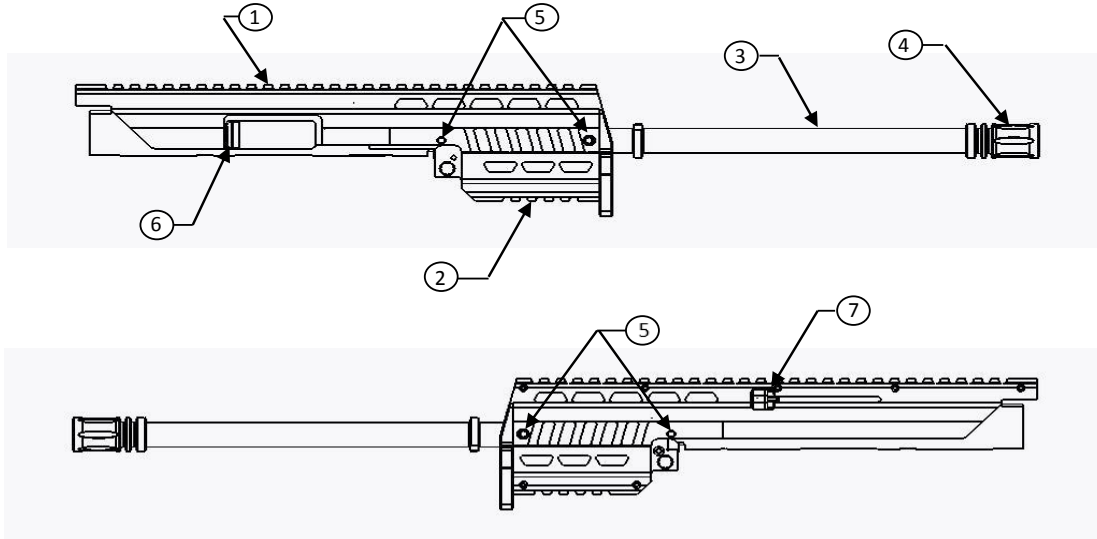




# MAX-11S Carbine Upper Receiver

## Features:



- |                     |                 |   |
|---------------------|-----------------|---|
| 1) Top Rail 12-1/2" | 3) Barrel 16.1" | 5) Side Accessory Rail Mounting Points      |
| 2) Bottom Rail 3"   | 4) Flash Hider  | 6) Shell Deflector                          |
|                     |                 | 7) Side Cocking Handle<br>Non-reciprocating |

## Installation instructions:

This procedure requires average skills. Read instructions completely before proceeding. In general the procedure is to remove your existing upper receiver and install the MAX-11S Upper Receiver.

### Procedure:

- 1) Point firearm in a safe direction, remove magazine and insure firearm is unloaded and not cocked.
- 2) Remove retaining pin and detach upper receiver from lower receiver.
- 3) Remove bolt assembly from your upper receiver.
- 4) Place bolt assembly in MAX-11S Upper Receiver.
- 5) Attach upper receiver to lower receiver and re-install retaining pin.  
Depending on how thick of a buffer you have on your bolt assembly, you may have to push the upper receiver to the rear of the lower receiver to align the receiver pin holes.

Manufacturer and/or Seller assume no liability for this product or its use. No warranty is implied or stated. Installer assumes all liabilities for any damages to firearm, property or persons. This is not a factory installed component.