

Owners Manual VERSA-10 Upper Receiver



NFA Warning

This upper receiver is designed to be used with the M-10/9 or M-10/45 submachine gun. NFA (National Firearms Act, Title 26, United States Code) rules apply to its use and possession.

It is the owners/users responsibility to comply with all local, State and Federal laws and regulations in the use of this product.

Description/Features

The VERSA-10 Upper Receiver is designed to provide additional capability to the M-10 submachinegun. Utilizing a heavy bolt and longer bolt stroke, the rate of fire is reduced to around 561 rounds per minute in 9mm and 484 rounds per minute in .45ACP. This allows easy controllability of fire and the ability to consistently fire single and two round bursts from the automatic setting.

The VERSA-10 is available with either a 9mm or .45ACP barrel installed. It utilizes a Magazine Module to allow use of many different magazines.

For 9mm, the Suomi Drum Magazine Module can use Suomi M31 72 round drum, 50 round coffin, 36 round double feed stick, Shockwave ZMAG-S and DC-31 magazines. Other Magazine Modules allows use of Glock G17 magazines or other magazines. For .45ACP, Glock G21 magazines, M3 Grease Gun Magazines or other magazines can be used.

The VERSA-10 does not include removeable sights, scope or optics.

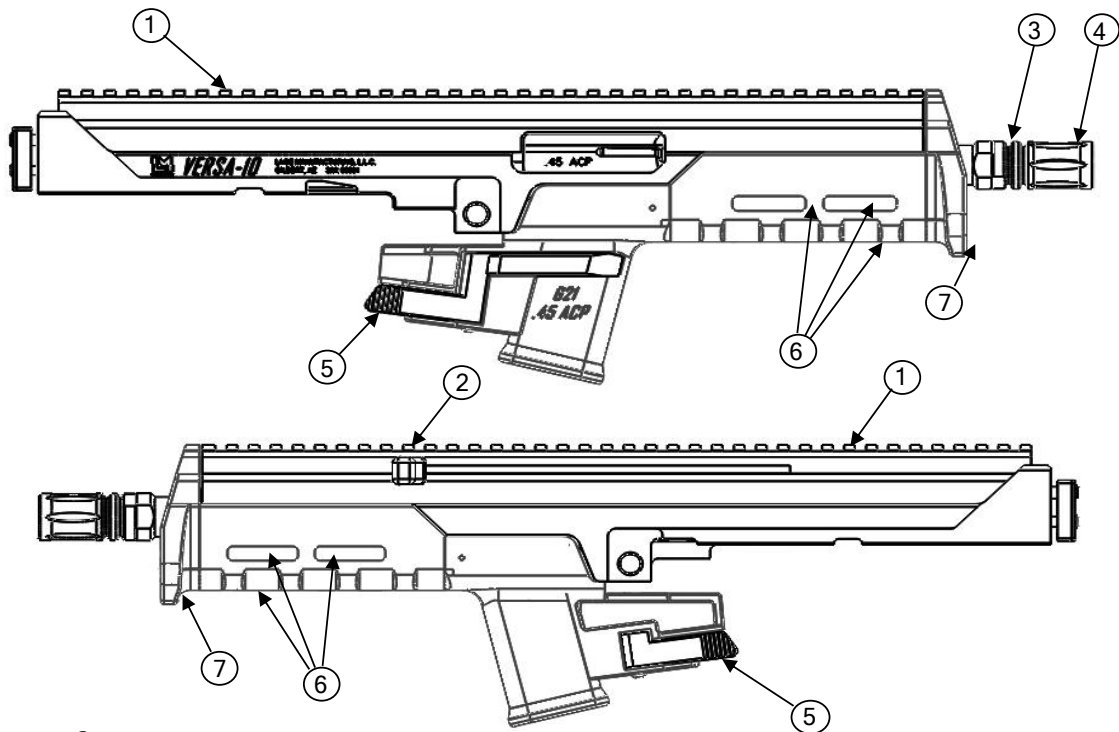
The VERSA-10 attaches to the stock M-10 lower receiver without any modification to the lower receiver.

Upper Receiver Features:

- 1) Scope/Optics rail 14.81"
- 2) Cocking Handle (non-reciprocating)
- 3) 6.20" barrel length, removeable (threaded 1/2-28 for 9mm and 5/8-24 for .45ACP)
- 4) Flash Suppressor

Typical Magazine Module Features (G21 Shown):

- 5) Ambidextrous Magazine Release
- 6) M-LOK Slots on Right and Left Sides and Bottom
- 7) Hand Stop



Width: 2.40"

Height: 5.30"

Overall length with "k" Folding Stock- 28.52"

Weight: 3.88 pounds

Installation

- ① Insure firearm is unloaded. Point in a safe direction. Remove magazine and pull bolt to the rear to insure chamber is empty.



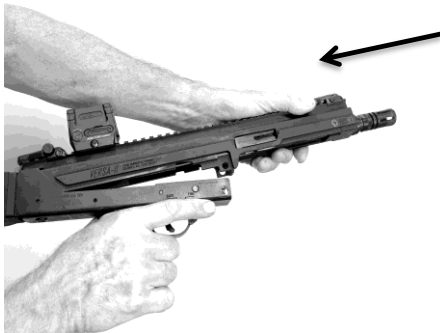
- ② While holding cocking knob, pull trigger and ease bolt forward into closed position.



- ③ Remove retaining pin and detach upper receiver from lower receiver.



- ④ Make sure selector is set to "SMG". This drops the trip down and makes it easier to install the upper. Install upper by aligning the rear of the upper receiver with the rear of the lower receiver, keeping both receivers parallel. Slide on the Magazine Module (G17 Magazine Module shown for reference).



- ⑤ Align retaining pin hole of lower receiver, upper receiver, and Magazine Module and install retaining pin.



Removal

- ① Point firearm in a safe direction and ensure it is unloaded and magazine is removed and bolt is forward.
- ② Remove retaining pin.
- ③ Slide Magazine Module forward and remove (G17 Magazine Module shown for reference)
- ④ Pull upper receiver up and forward to remove upper receiver. Be careful to not let the bolt assembly slide out.



Operation

Recommended ammunition:

Use only full power ammunition such as 9mm CC1 Blazer Brass 115 gr FMJ or .45ACP Armscor 230 gr. FMJ Round Nose ammunition.

Using weak ammo may result in short uncontrolled bursts of 3 to 5 rounds. If you are unsure of your ammunition, only load 10 rounds in the magazine and test to see if it continues to shoot after releasing the trigger.

Do not use steel cased ammo in the Shockwave ZMAG-S, DC-31 or 50 round Suomi coffin magazines. The increased friction of the steel cases may cause feed jams. Steel cased ammo will work fine in the drum magazines.

Rate of fire is dependent upon ammunition being used. "Hotter" ammo will run faster and weaker ammo will run slower.

Load magazine:

Cock gun first before installing magazine. Insert loaded magazine into mag well and then pull the magazine down to make sure it is latched in securely.



Due to variations in magazines, some magazines may be a snug fit but most will fit loosely. The magazine may have a lot of play after installation, but this will not affect functioning of the VERSA-10.

Cocking

Pull cocking knob to rear and release. Bolt will remain in the rearward position. Cocking knob has a spring return and will return forward after release. Cocking knob is non-reciprocating and will remain forward when firing.



Note:

If gun jams with the bolt forced closed, do not force the cocking knob or hit it with a hammer. Remove upper receiver from lower receiver. Use a screw driver to depress the rear of the extractor and release the case rim. Remove the bolt assembly, then use a cleaning rod or dowel from the muzzle end to tap the bullet out.

Recommended source 9mm Suomi M31 Drum magazines:

Centerfire Systems

102 Fieldview Dr.
Versailles, KY 40383
www.centerfiresystems.com
1-800-950-1231

Part Number #M31DRUM

Condition of magazines- magazines are of varying quality due to the fact that they are surplus military magazines. Steel surface may show pitting, wear marks or light scratches. Magazine is coated with grease. Make sure you clean the inside thoroughly before loading.

Scope/Optics Rail

A full length rail for mounting a scope or other aiming device is located on the top of the upper receiver. When installing a mount, do not force it or you may damage the upper receiver accessory rail.

M-LOK Mounting Points

Magazine Modules feature M-LOK mounting points on the right and left side and bottom. With these mounting points, you can attach an M1913 Picatinny Rail and then attach a front hand grip, laser aiming device, tactical flashlight or other device.



VERSA-10 .45 ACP Variable Buffer System (optional)

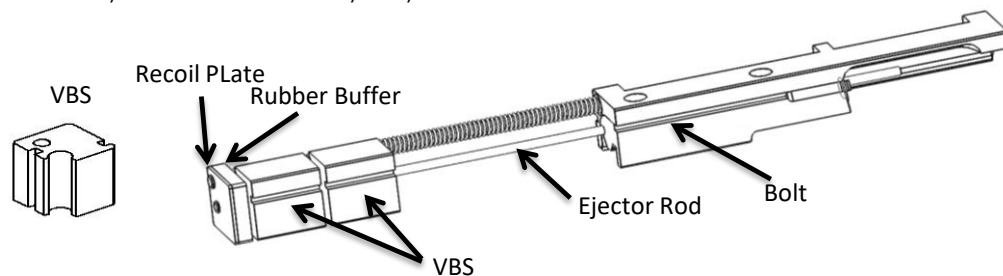
To adjust the rate of fire, the VERSA-10 in .45ACP is designed to use a variable buffer system (VBS). The VBS consists of 2 buffer spacers that can be placed on the bolt assembly between the rear of the bolt and the rubber buffer.

With Armscor 230 Gr. FMJ ammunition, the following approximate rates of fire can be achieved with multiple buffer spacers:

	Standard Bolt	1	2
RPM	484	600	717

NOTE: A Variable Buffer System is not available for the 9mm VERSA-10. Testing showed only a 26 RPM difference with the VBS installed.

Different bullet weights, as well as lighter or stronger powered ammunition, will result in slower or faster rates of fire. The rates of fire above are approximate. The rate of fire of your ammunition may vary.



Attachment of other muzzle devices

The barrel is threaded 1/2-28 for 9mm and 5/8-24 for .45ACP. The flash suppressor is torqued to 25 foot/pounds and secured with Loctite Threadlocker 242. A lockwasher is intentionally not used in order to ensure the mounting surface of the barrel remains square and burr free for optional use with a suppressor. If you choose to replace the flash suppressor with another type of muzzle device, make sure it is for the correct caliber.

To remove the flash suppressor, attach a 3/4" open end wrench to the wrench flats on the barrel. Attach a 3/4" open end wrench to the wrench flats on the flash suppressor. While holding the wrench attached to the barrel stationary, rotate the wrench attached to the flash suppressor counter-clockwise. **Do not place the upper receiver in a vise. You will risk crushing the upper receiver.**



Attachment of a Sound Suppressor

A sound suppressor may be attached to the VERSA-10 by removing the flash suppressor. The barrel is threaded 1/2-28 for 9mm and 5/8-24 for .45ACP. A thread adapter can be used to couple suppressors with other thread sizes or mounting systems.

Remove the flash suppressor per the above procedure and install the thread adapter per the manufacturers' instructions.

CAUTION: Due to the possible variance in the concentricity and squareness of the combined barrel, thread adapter and suppressor you will be using, it is recommended that thread adapters be installed by a qualified gunsmith and the mounted suppressor be inspected for alignment prior to firing. The warranty for the VERSA-10 Upper Receiver applies only to the upper receiver assembly and not any accessories subsequently attached by the Customer.

Removal of Barrel

The barrel has been designed to allow easy removal and installation. Remove the VERSA-10 Upper Receiver from the Lower Receiver. Remove the Magazine Module. Using a T25 TORX Bit, remove the four #10-32 Counter Sink Screws from the front right and left sides. Remove the barrel and trunnion assembly from bottom of the upper receiver. Place the trunnion in a smooth faced or padded vise. Using a 3/4" wrench, remove the barrel by rotating the wrench counter clockwise.

Installation of Barrel

Apply Loctite Threadlocker 242 to the barrel threads and hand thread the barrel into trunnion. Place the trunnion in a smooth faced or padded vise. Using a 3/4" wrench, tighten the barrel by rotating the wrench clockwise. Using a torque wrench set to 40 ft. lbs., finish tightening the barrel. Apply Loctite Threadlocker 242 to the four #10-32 Counter Sink Screws. Using a T25 TORX Bit, install two of the #10-32 Counter Sink Screws into the right side of the upper receiver and screw into the trunnion. Using a torque wrench set to 40 ft. lbs., finish tightening the two screws. Repeat the above process for the remaining two screws on the left side.

Cleaning, Lubrication and Maintenance

Cleaning and lubrication should be carried out per the original manual provided with the M-10 with the following additional requirements:

Recommended cleaning interval is after each shooting session or 500 rounds of use.

Remove the upper receiver from the lower receiver. Slide the bolt assembly fully rearward and remove.

Clean upper receiver with solvent. The metal finish and polymer grips are resistant to most cleaning chemicals including Mineral Spirits, Acetone and MEK. Inspect all screws for tightness.

Clean the cocking groove in the top rail of the upper receiver by spraying with an aerosol gun cleaner. Add a couple drops of gun oil to the top of the cocking assembly.

Clean barrel using your preferred method.

Lightly coat all surfaces with gun oil. Wipe away any excess oil.

Clean the bolt assembly in solvent. Brush the bolt face and breach area with a nylon or brass brush to remove any built-up carbon deposits. Ensure the bolt face is clean and free of debris.

Using a fingertip, apply a thin coat of light gun oil to the bolt surfaces. Wipe away any excess oil. Add a drop of gun oil to the recoil spring where it meets the back of the bolt. Inspect the sear engagement surface for rounding or burrs. Small burrs may be removed with a file. If the surface is worn and preventing the sear from reliably engaging, discontinue use and have it repaired immediately.

Lightly coat ejector rod with gun oil.

Insert the bolt assembly into the upper receiver.

Re-install upper receiver on to lower receiver.

Parts Replacement

All replacement parts can be purchased from LAGE Manufacturing, L.L.C.

Referenced Manufacturers

Centerfire Systems

102 Fieldview Dr.
Versailles, KY 40383
www.centerfiresystems.com
1-800-950-1231

Loctite Threadlocker 242

Loctite is a trademark of Loctite Corp.
1001 Trout Brook Crossing
Rocky Hill, CT 06067

Warranty and Repair

WARRANTY

Note: Use of reloaded/remanufactured ammunition or aluminum cased ammunition will void your warranty

The VERSA-10 Slowfire Upper Receiver has been manufactured in a manner to insure it is defect free and durable. LAGE Manufacturing, L.L.C. warrants to the original purchaser that this product is free from defects in materials and workmanship for the period of One Year from the original date of purchase. This warranty does not apply to damage due directly or indirectly, to misuse, abuse, negligence or accidental, repairs or alterations outside our facilities or to lack of maintenance. We shall in no event be liable for death, injuries to persons or property or for incidental, contingent, special or consequential damages arising from the use of this product. The above limitation of exclusion may be subject to state law and may not apply to you.

To utilize this warranty, the VERSA-10 Slowfire Upper Receiver must be returned to us packaged in a manner to preclude damage during transit and with shipping charges prepaid. Proof of purchase date and a written description of the complaint must be included. If upon inspection, the complaint is verified, we will either repair or replace the product at our election or we may elect to refund the purchase price if we cannot readily and quickly provide a replacement. We will return the repaired product at our expense, but if we determine that there is no defect, or that the defect was a result of causes not within the scope of this warranty, then you must bear the cost of returning the product.

This warranty gives you specific legal rights and you may have other rights, which vary from state to state.